



**C 20 - 00128 BITACORA DE REFLEXION
C20 - 00128 MAGNETIC COMPASS OUTFIT**

MANUAL DE INSTALACIÓN
INSTALLATION & OPERATORS MANUAL



C/ ITALIA , 1
08320 EL MASNOU
BARCELONA
T. +34 93 540 99 49
F. +34 93 540 99 51
info@autonauticinstrumental.com
www.autonauticinstrumental.com

CONTENIDO

CONTENTS

CARACTERÍSTICAS / CHARACTERISTICS

INSTALACIÓN / INSTALLATION

AJUSTE DEL COMPAS / COMPASS ADJUSTING

MANTENIMIENTO / MAINTENANCE



CARACTERISTICAS BITACORA C20 00128 CLASE B

- Bitácora con compás de 125 mm. Ø.
- Fácil instalación para el astillero.
- Diseño modular de la bitácora.
- Iluminación 12 o 24 v.
- Periscopio de reflexión con amplia visibilidad 30° babor-estribor con tratamiento antirreflejos.
- Funda de protección de material impermeable.
- fabricado en ABS con alta resistencia al impacto.
- Tratamiento anticorrosión y alta resistencia a la niebla salina.

FEATURES C20 - 00128 MAGNETIC COMPASS OUTFIT

- 125 mm. Reflector compass outfit.
- Reduced shipyard installation work.
- Modular design.
- LED lighting 24 – 12 v.
- Periscope provides the best image (+30° - 30°) vision.
- Cover made with quality waterproof material.
- ABS binnacle with high impact resistance.
- Special paint treatment to protect against the saline mist.

INSTALLATION

Positioning

IMO Resolution A382(X) Magnetic Compasses Carriage and Performance Standards includes a section on the positioning of the magnetic compass. It is also strongly recommended that ISO 694 - Positioning of Magnetic Compasses in Ships - is complied with. If, due to the special construction of the vessel, it is necessary to deviate from these, then the Flag State Authority should be consulted, as incorrect positioning can affect the expected performance of the magnetic compass.

Installation

Details and notes within the installation drawings give adequate information to carry out an installation.

Care should be taken to ensure the vertical axis of the periscope (optional as a reflector compass) and binnacle are parallel. If there is any doubt as to the capability of the shipyard methods to guarantee this, then we recommend the following:

- a) Fit the binnacle as per drawings.
- b) Fit the compass in the binnacle.
- c) Locate the (optional) periscope into the base of the binnacle as per drawing.
- d) Hold the (optional) periscope in position and check that the compass card can be viewed through the mirror. Adjust the position if necessary.
- e) Secure the ceiling flange.

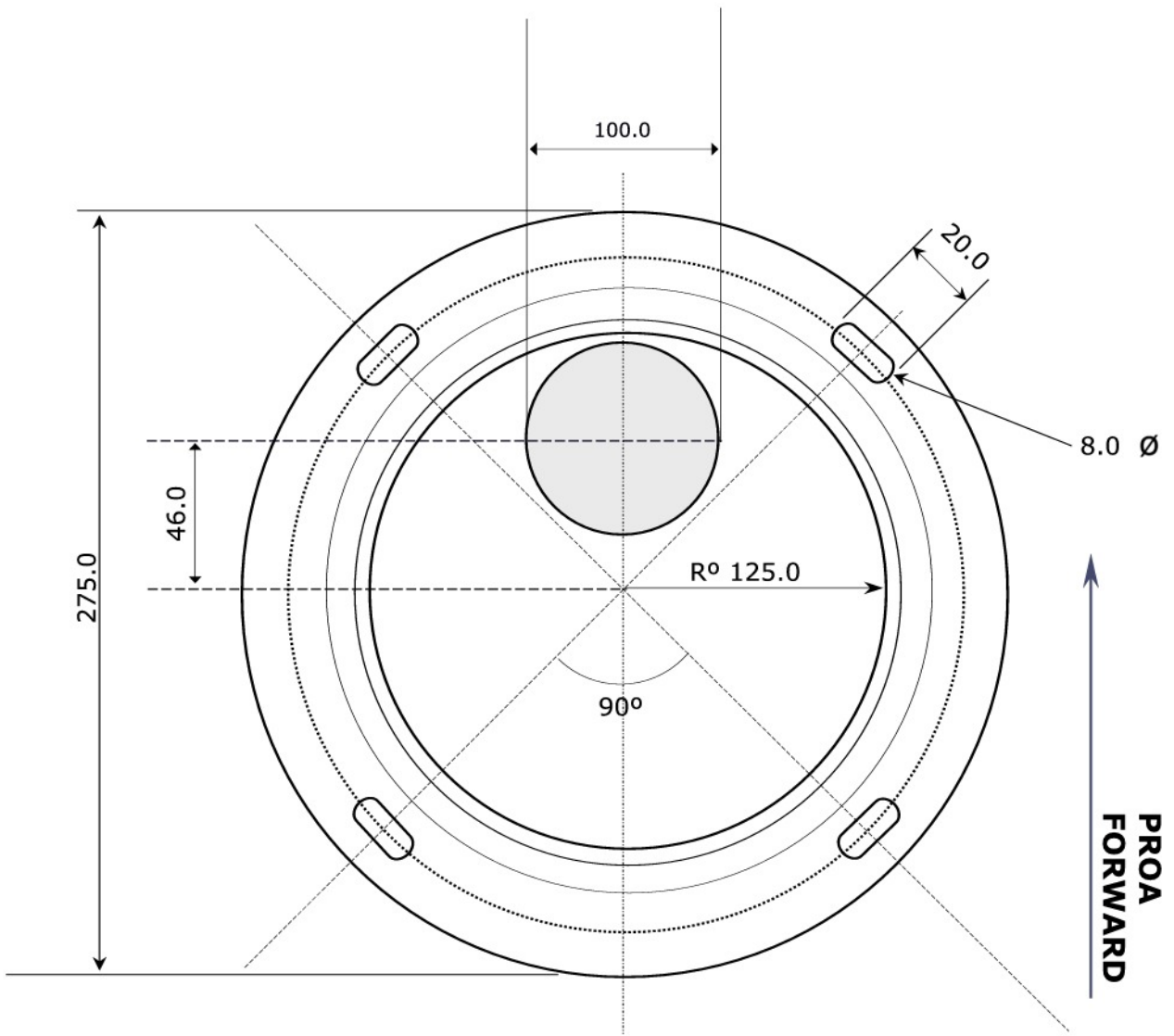
MAINTENANCE

Compass Bowl

The compass bowl should be regularly inspected to ensure that there are no leaks or bubbles. In addition, the upper and lower glass should be maintained in a clean condition, and the compass gimbaling checked.

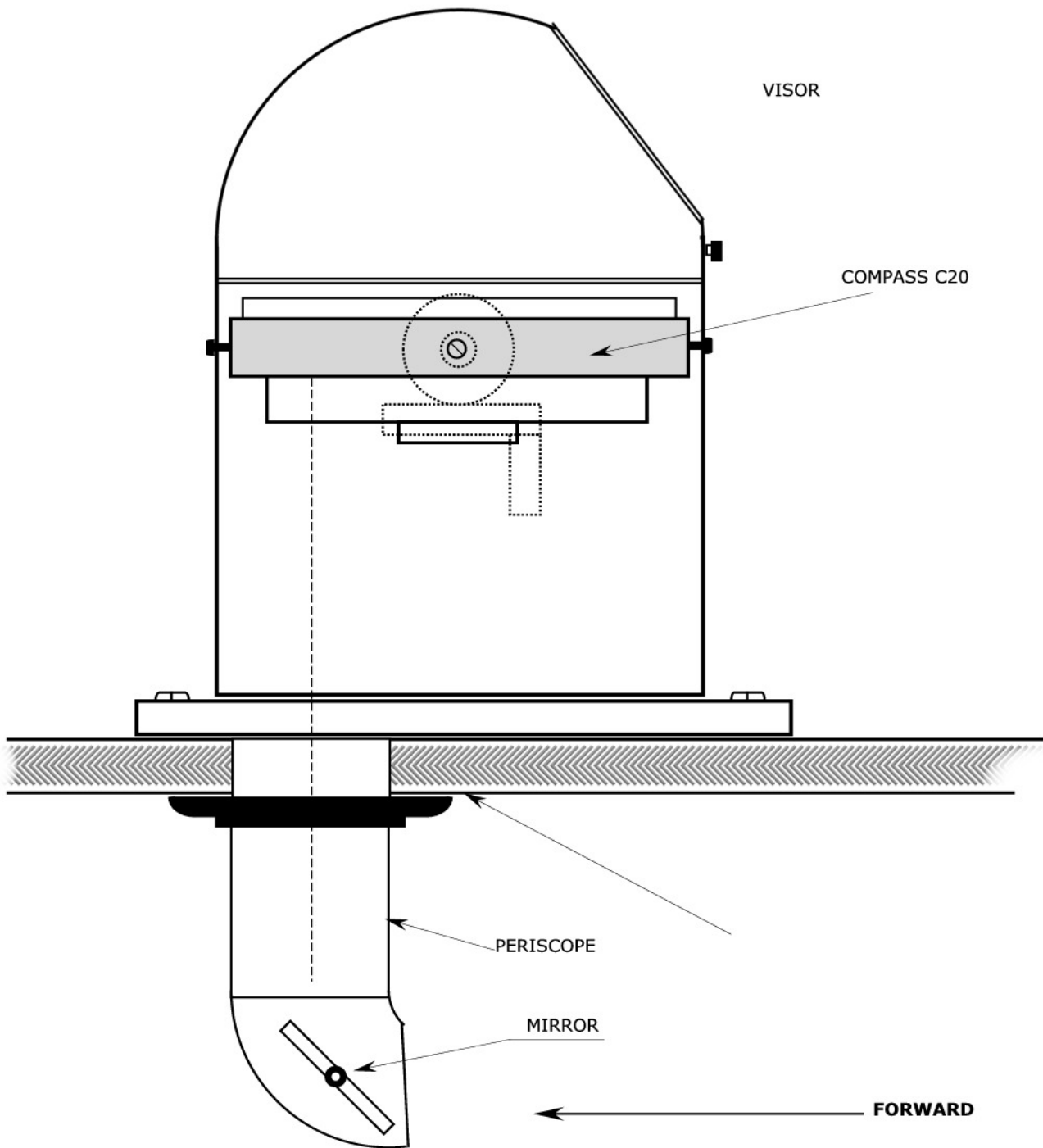
A few times per year, and more regularly on vessels with high vibration levels or following heavy weather, an operational test should be carried out on the magnetic compass to ensure that no friction has developed on the pivot and jewel. This operational test should be carried out as follows:-

Whilst the vessel is alongside, bring a magnetic object towards the compass so that the heading is deviated by 2 degrees. Hold the deviated compass card in this position for 10 seconds, and then release by removing the magnetic object. When the compass card settles it should be within 15 seconds of arc of the original heading. If the compass card does not return within this limit then there is a high level of friction between the pivot and jewel. The compass should be overhauled by a competent authority.



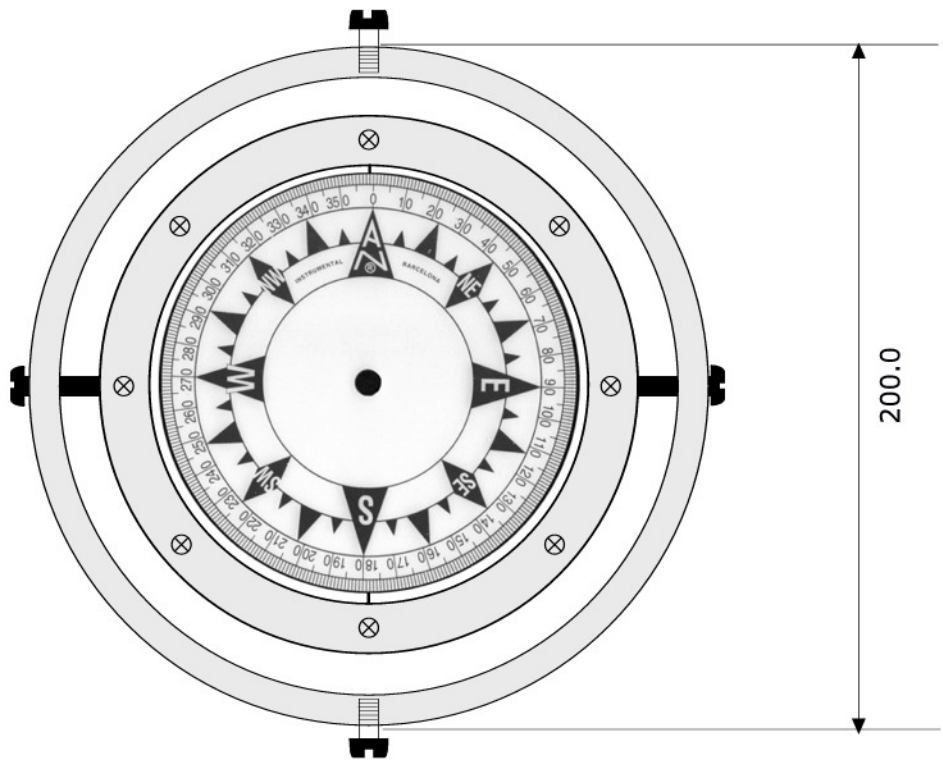
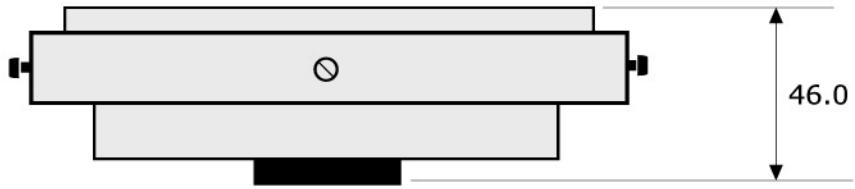
C/ ITALIA, 1
 08320 EL MASNOU
 BARCELONA
 T. +34 93 540 99 49
 F. +34 93 540 99 51
 info@autonauticinstrumental.com

MATERIAL	REFERENCIA	NOM PEÇA
PVC	BASE	RODONA C20
DATA	SIGNATURA	
22/1/06		



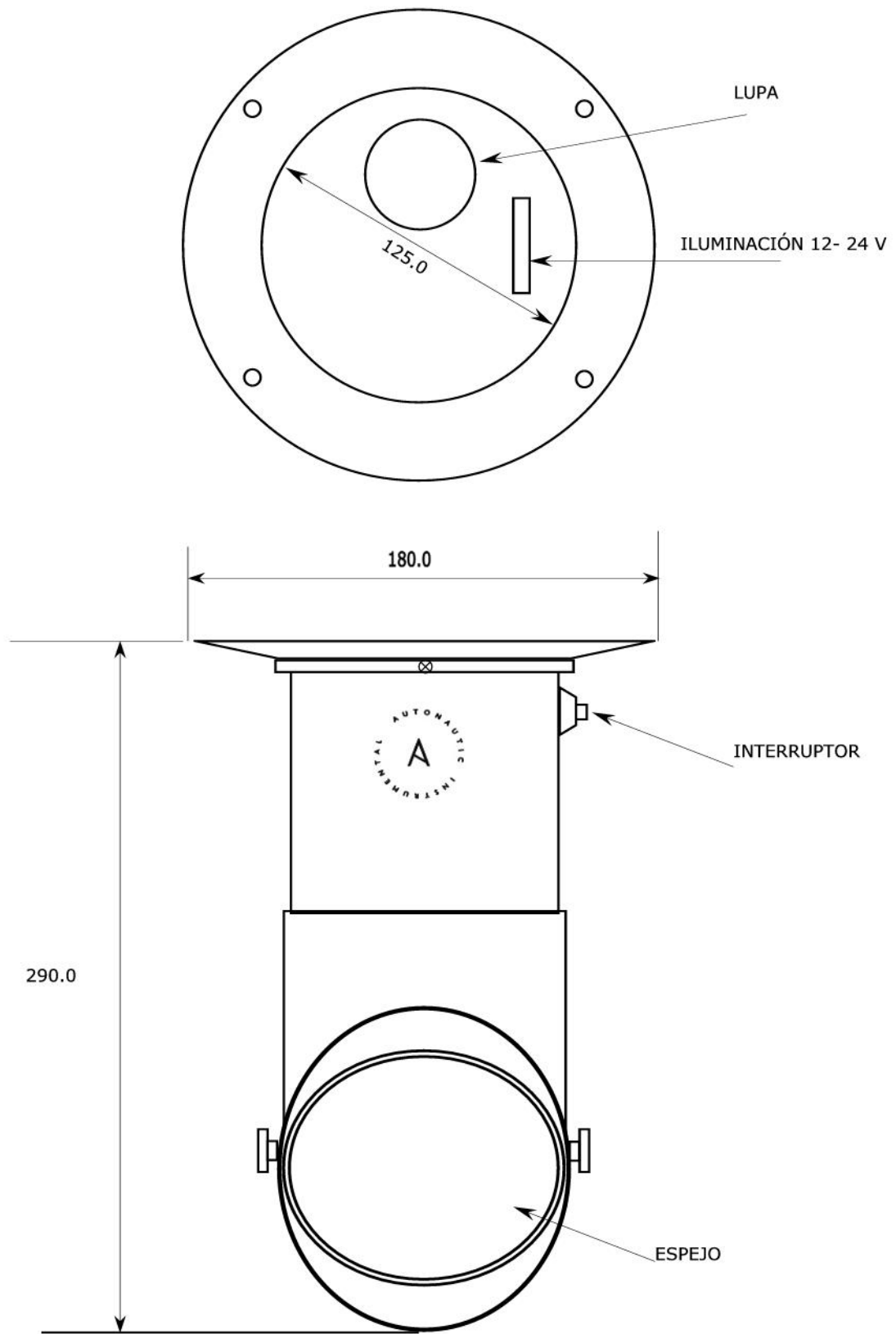
C/ ITALIA, 1
 08320 EL MASNOU
 BARCELONA
 T. +34 93 540 99 49
 F. +34 93 540 99 51
 info@autonauticinstrumental.com

MATERIAL	REFERENCIA	NOM PEÇA
DATA	SIGNATURA	
		



C/ ITALIA, 1
 08320 EL MASNOU
 BARCELONA
 T. +34 93 540 99 49
 F. +34 93 540 99 51
 info@autonauticinstrumental.com

MATERIAL	REFERENCIA	NOM PEÇA
		COMPAS C20
DATA	SIGNATURA	
20/3/2008		



C/ ITALIA, 1
 08320 EL MASNOU
 BARCELONA
 T. +34 93 540 99 49
 F. +34 93 540 99 51
 info@autonauticinstrumental.com

MATERIAL	REFERENCIA	NOM PEÇA
	C 21	PERISCOPIO
DATA	SIGNATURA	
	